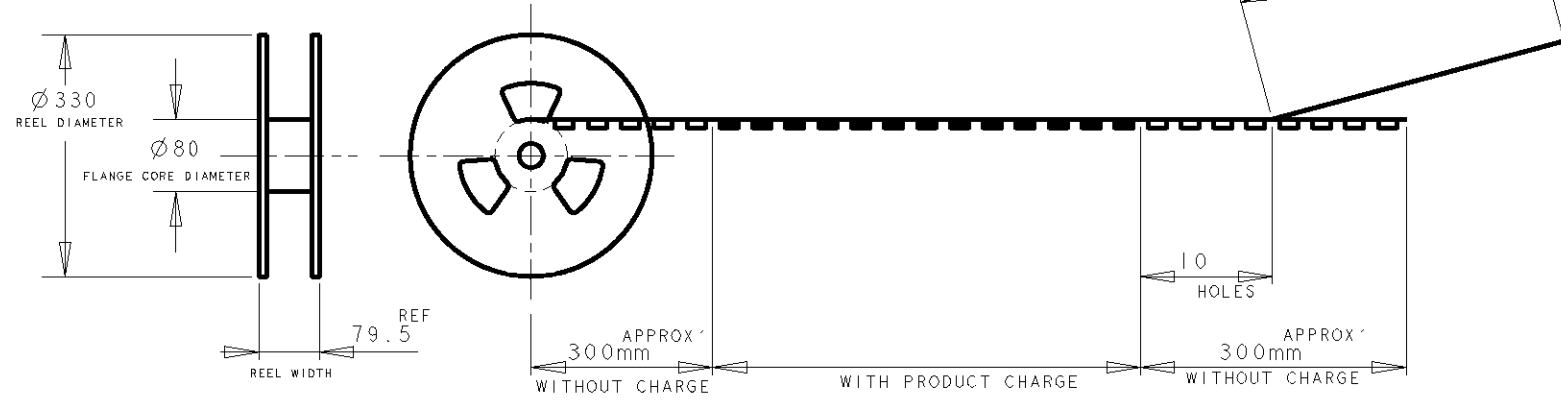
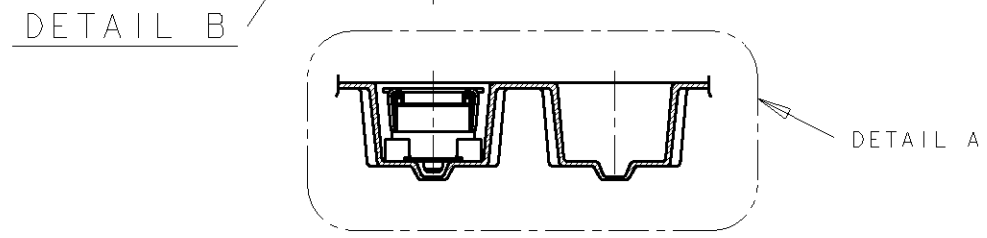
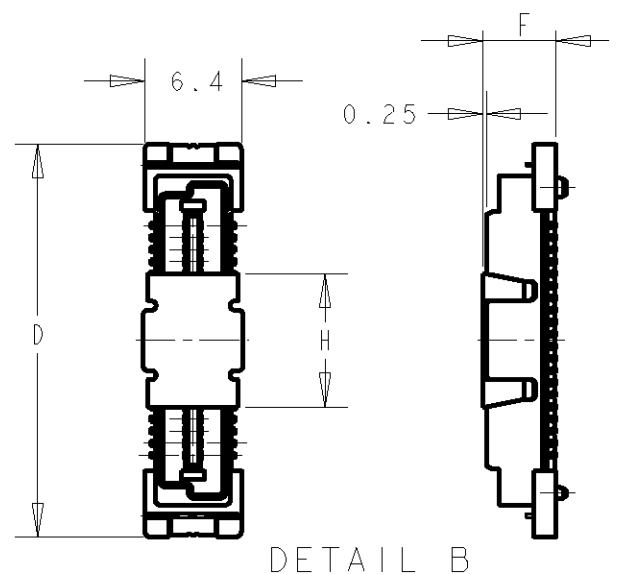
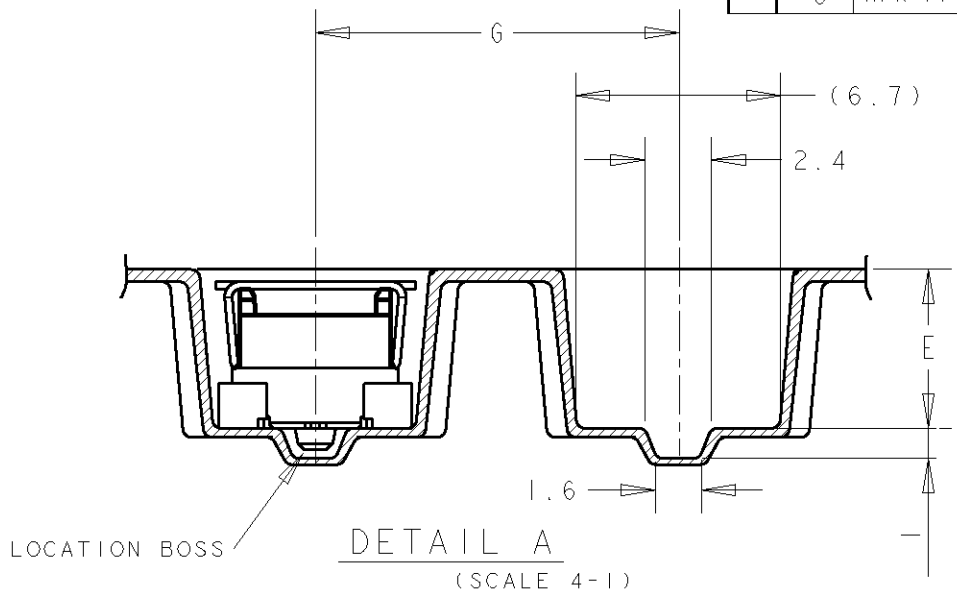
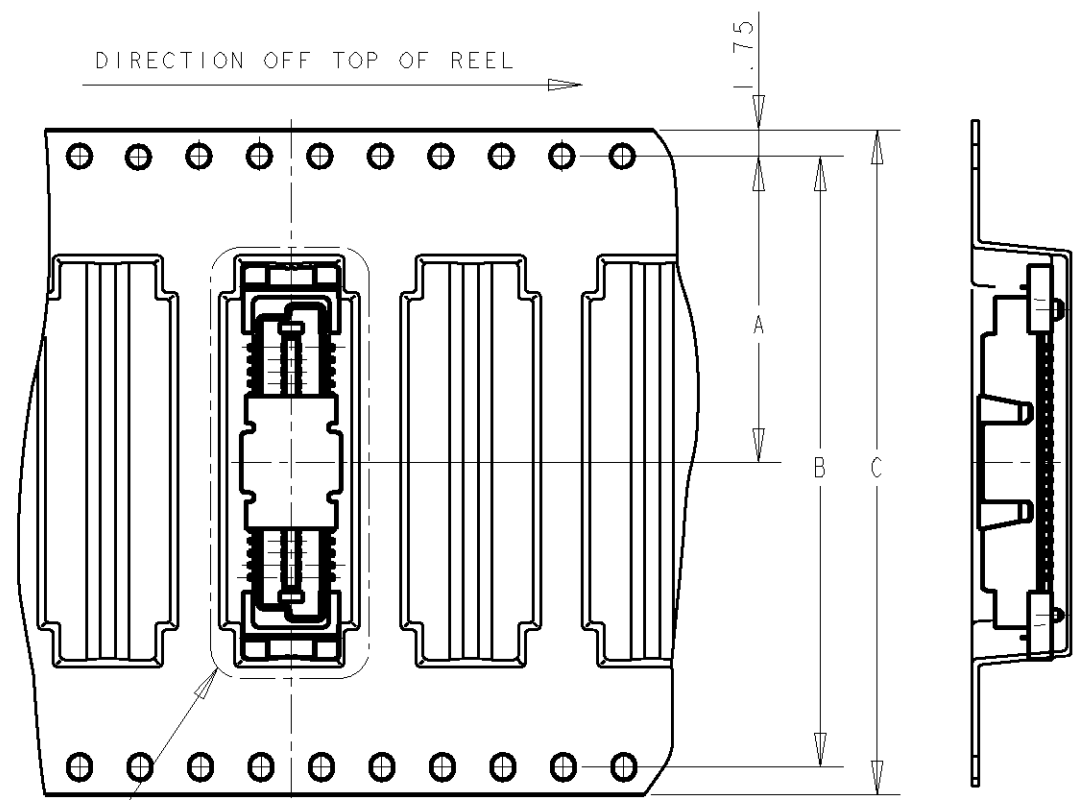


LOC	DIST	REVISIONS					
DY	-	P	LTR	DESCRIPTION	DATE	DWN	APVD
		0		NPR FP00-0230-04	20SEP04	FTAN	LSF



QYT	HEIGHT TYPE	H	G	F	E	D	C	B	A	POS	CONN P/N	PART NO.
400		17	16			58				120	-5	3- -5
						50	72	68.4	34.2	100	-4	3- -4
						42	56	52.4	26.2	80	-3	3- -3
						34	44	40.4	20.2	60	-2	3- -2
600	8H	8.8	12	7.85	8.25	26	44	40.4	20.2	40	5179106-	3-5179161-1
						58				120	-5	2- -5
450		17	16			50	72	68.4	34.2	100	-4	2- -4
						42	56	52.4	26.2	80	-3	2- -3
						34	44	40.4	20.2	60	-2	2- -2
700	7H	8.8	12	6.85	7.25	26	44	40.4	20.2	40	5179104-	2-5179161-1
						58				120	-5	1- -5
550		17	16			50	72	68.4	34.2	100	-4	1- -4
						42	56	52.4	26.2	80	-3	1- -3
						34	44	40.4	20.2	60	-2	1- -2
800	6H	8.8	12	5.85	6.25	26	44	40.4	20.2	40	5179102-	1-5179161-1
						58				120	-5	-5
650		17	16			50	72	68.4	34.2	100	-4	-4
						42	56	52.4	26.2	80	-3	-3
						34	44	40.4	20.2	60	-2	-2
900	5H	8.8	12	4.85	5.25	26	44	40.4	20.2	40	5177935-	5179161-1

NOTE:  
 1. THIS PRODUCT WAS COATED BY FLUX-PENETRATION INHIBITING AGENT.

THIS DRAWING IS A CONTROLLED DOCUMENT FOR AMP INCORPORATED. IT IS SUBJECT TO CHANGE AND THE CONTROLLING ENGINEERING ORGANIZATION SHOULD BE CONTACTED FOR THE LATEST REVISION.

DWN: FLORENCE TAN (20SEP04)  
 CHK: ERIC TNG  
 APVD: SF L FONG

**tyco Electronics** Tyco Electronics (Singapore) Pte. Ltd.

DIMENSIONS: mm  
 TOLERANCES UNLESS OTHERWISE SPECIFIED:  
 0 PLC ±  
 1 PLC ±0.2  
 2 PLC ±0.25  
 3 PLC ±0.3  
 4 PLC ±  
 ANGLES ±3°

MATERIAL: - FINISH: -

PRODUCT SPEC: -  
 APPLICATION SPEC: -  
 WEIGHT: -

CUSTOMER DRAWING

NAME: PLUG ASS'Y WITH SOLDER PEG, FH 0.8mm B-T-B CONN. (STACK HEIGHT 5mm, 0.7 BOSS LENGTH) ON TAPING

SIZE: A3 CAGE CODE: 00779 DRAWING NO: C-5179161

SCALE: 2:1 SHEET: 1 OF 1 REV: 0